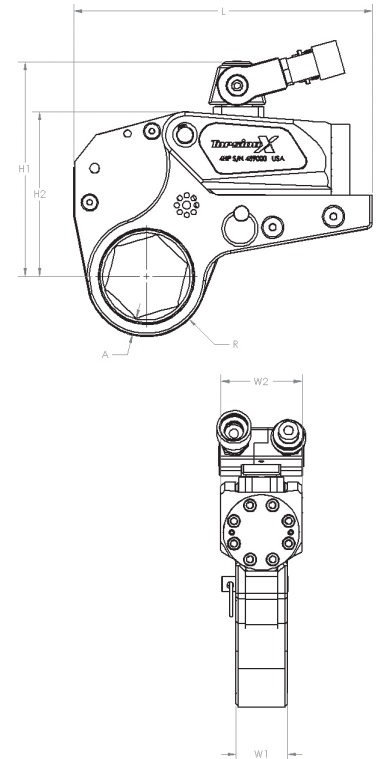


# HEXPRO<sup>®</sup> SERIES

LOW PROFILE  
TORQUE WRENCHES

HEXPRO Series Low Profile Wrenches are essential tools for limited clearance applications. The versatile HEXPRO Series supports an extensive range of interchangeable hexagon ratchet links which deliver a torque range of 162 ft-lbs. to 28,861 ft-lbs. (220 Nm to 39,130 Nm).



## HEXPRO SPECS

Model	2HP		4HP		8HP		14HP		30HP	
Torque (ft-lbs.)	162 - 1,714		439 - 4,500		762 - 8,100		1,245 - 13,443		2,846 - 28,861	
Torque (Nm)	220 - 2,324		595 - 6,101		1,033 - 10,982		1,689 - 18,229		3,858 - 39,130	
Hex Size (Imperial)	3/4" - 2.3/8"		1.5/16" - 3.1/8"		1.1/2" - 3.15/16"		2" - 4.5/8"		3.1/8" - 6.7/8"	
Hex Size (Metric)	19 mm - 60 mm		36 mm - 80 mm		41 mm - 100 mm		50 mm - 115 mm		80 mm - 175 mm	
Power Head	3 lbs	1.36 kg	5 lbs	2.27 kg	8 lbs	3.63 kg	13 lbs	5.90 kg	27 lbs	12.27 kg
Ratchet Link	4 lbs	1.81 kg	9 lbs	4.09 kg	16 lbs	7.27 kg	26 lbs	11.82 kg	70 lbs	31.82 kg
L	7.32"	185.9 mm	9.72"	246.9 mm	11.87"	301.5 mm	14.24"	361.7 mm	17.05"	433.1 mm
H1	5.26"	133.6 mm	7.85"	199.4 mm	8.43"	214.1 mm	9.41"	239.0 mm	12.40"	315.0 mm
H2	4.12"	104.7 mm	5.71"	145.0 mm	6.95"	176.5 mm	8.00"	203.2 mm	11.22"	285.0 mm
W1	1.25"	31.8 mm	1.65"	41.9 mm	2.08"	52.8 mm	2.52"	64.0 mm	3.35"	85.1 mm
W2	2.00"	50.8 mm	2.60"	66.0 mm	3.27"	83.1 mm	3.88"	98.6 mm	5.16"	131.1 mm
A	.390"	9.9 mm	.580"	14.7 mm	.650"	16.5 mm	.740"	18.8 mm	1.010"	25.7 mm
R	1.054"-1.766"	26.8mm - 44.9mm	1.397"- 2.393"	35.5mm-60.8mm	1.882"-2.944"	46.3mm-74.8mm	2.34"-3.416"	59.4mm-86.8mm	3.037"-4.559"	77.1mm-115.8mm

For more information call

**1.304.744.9489**

**TorsionX.com**