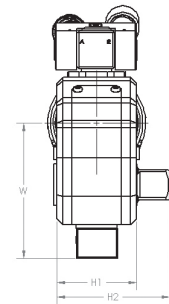
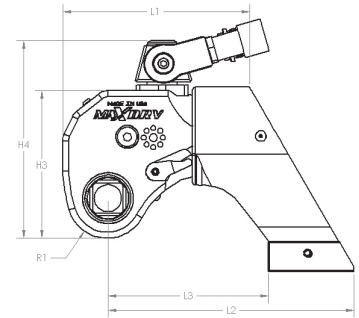


MAXDRV[®] SERIES SQUARE DRIVE TORQUE WRENCHES

MAXDRV Series Square Drive Torque Wrenches offer a compact design, constructed of aluminum alloy and high strength steel alloy for increased strength and durability while minimizing the weight. The MAXDRV Series is available in a 64 ft-lbs. to 18,446 ft-lbs. (86 Nm - 25,009 Nm) torque range.



MAXDRV SPECS

| Model | .7MD | | 1MD | | 3MD | | 5MD | | 10MD | | 17MD | |
|------------------|------------|----------|-------------|----------|-------------|----------|-------------|----------|----------------|----------|----------------|----------|
| Torque (ft-lbs.) | 64 - 793 | | 125 - 1,318 | | 270 - 3,167 | | 538 - 5,480 | | 1,050 - 11,206 | | 1,640 - 18,446 | |
| Torque (Nm) | 86 - 1,076 | | 169 - 1,787 | | 366 - 4,294 | | 729 - 7,430 | | 1,423 - 15,193 | | 2,223 - 25,009 | |
| Drive | .75" | | .75" | | 1.00" | | 1.50" | | 1.50" | | 2.50" | |
| Weight | 3.2 lbs | 1.45 kg | 5 lbs | 2.27 kg | 11 lbs | 5.00 kg | 18 lbs | 8.16 kg | 32 lbs | 14.51 kg | 61 lbs | 27.67 kg |
| L1 | 3.90" | 99.1 mm | 4.83" | 122.7 mm | 6.18" | 157.0 mm | 7.47" | 189.7 mm | 9.36" | 237.7 mm | 10.85" | 275.6 mm |
| L2 | 5.08" | 129.0 mm | 6.23" | 158.2 mm | 8.13" | 206.5 mm | 9.73" | 247.1 mm | 12.22" | 310.4 mm | 14.20" | 360.7 mm |
| L3 | 3.32" | 84.3 mm | 4.11" | 104.4 mm | 5.31" | 134.9 mm | 6.41" | 162.8 mm | 8.02" | 203.7 mm | 9.19" | 233.4 mm |
| H1 | 1.62" | 41.1 mm | 1.97" | 50.0 mm | 2.63" | 66.8 mm | 3.16" | 80.3 mm | 3.95" | 100.3 mm | 4.63" | 117.6 mm |
| H2 | 2.56" | 65.0 mm | 2.88" | 73.2 mm | 3.72" | 94.5 mm | 4.93" | 125.2 mm | 5.75" | 146.1 mm | 6.98" | 177.3 mm |
| H3 | 3.02" | 76.7 mm | 3.77" | 95.8 mm | 4.88" | 124.0 mm | 5.97" | 151.6 mm | 7.35" | 186.7 mm | 8.50" | 215.9 mm |
| H4 | 4.29" | 108.9 mm | 4.97" | 126.2 mm | 6.46" | 164.1 mm | 7.71" | 195.8 mm | 9.04" | 229.6 mm | 10.36" | 263.1 mm |
| W | 1.50" | 38.1 mm | 3.45" | 87.6 mm | 4.49" | 114.1 mm | 5.39" | 136.9 mm | 6.73" | 170.9 mm | 7.82" | 198.6 mm |
| R1 | .83" | 21.1 mm | 1.04" | 26.4 mm | 1.31" | 33.3 mm | 1.63" | 41.4 mm | 2.03" | 51.6 mm | 2.32" | 58.9 mm |

For more information call

1.304.744.9489

TorsionX.com